

rock exotica
GEAR FOR THE Z AXIS

KOOTENAY ULTRA

The original Kootenay knot passing pulley was built by Rock Exotica in the late 80's. Since those days, many have copied the pulley and even used the original name, but none have made as many advancements in the design until now.

- Extremely compact and lightweight, while maintaining same capacity of larger Kootenay-style pulleys.
- Simplifies high-strength tie-off with a single locking screw, stowable within the axle.
- Uses two independent sealed ball bearings for increased durability and efficiency.
- Two additional holes to separate tag lines and hoist lines, helping prevent spinning of the load and interference with connectors.

Part #: P3

MBS: 39 kN

Sheave Dia: 2.2" (56mm)

Rope Diameter: 8mm - 19mm

Weight: 25 oz (711 gm)

Type: Double Bearing

Certification: Pending CE

See page 2 for full specifications



Open
(Bolt Stored)

Screw
Removed

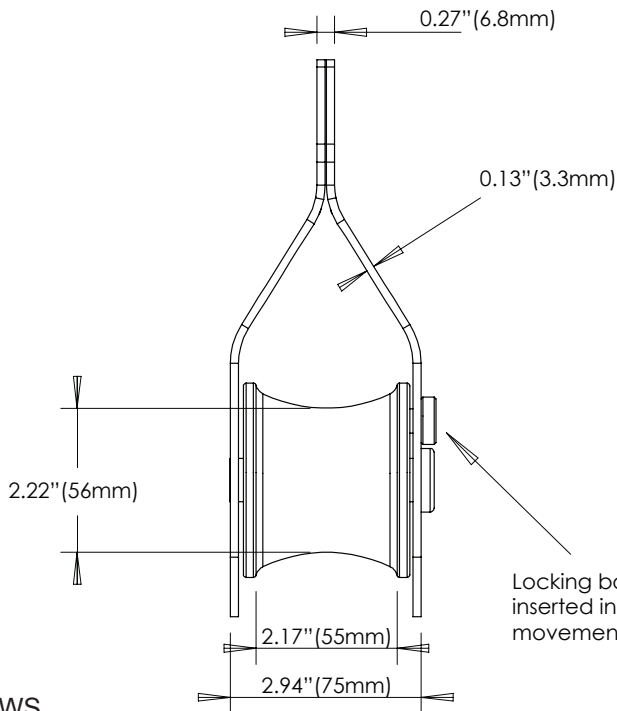
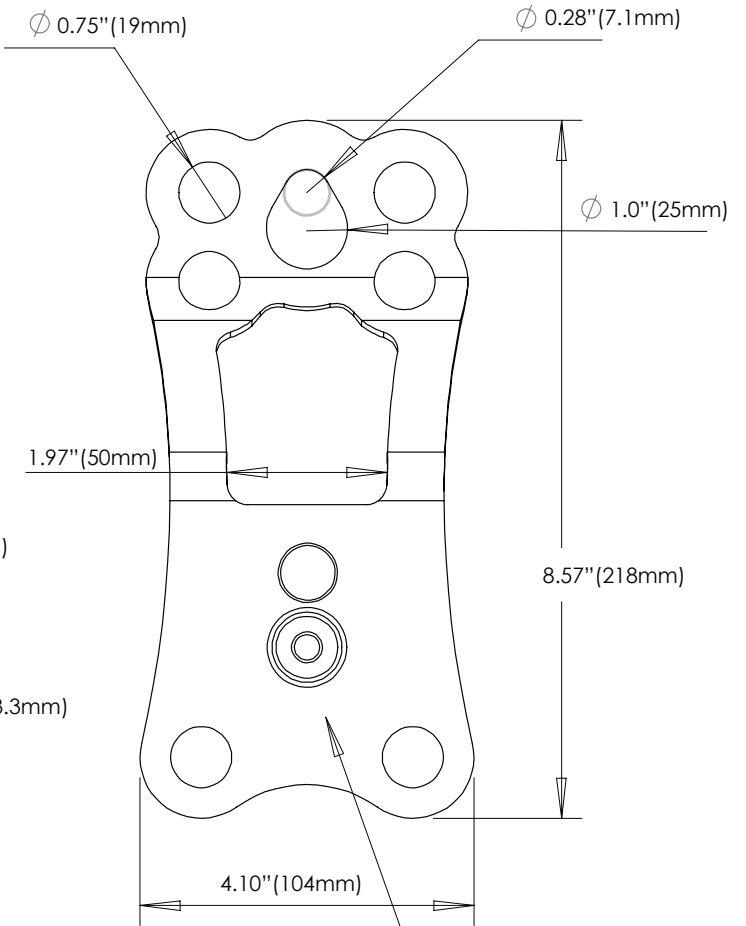
Sheave
Locked

The Kootenay sheave is easily locked off by removing the Lock Screw that is conveniently stored in the axle and threading it into the hole in the sideplate and sheave.



P3 - KOOTENAY ULTRA

- MBS: 39kN
- Working Load Limit: 6kN Single
- Sheave Diameter: 2.2" (56mm)
- Rope Diameter: 8mm - 19mm
- Weight: 25 oz (711gm)
- Body Material: Aluminum Alloy
- Sheave Material: Aluminum Alloy
- Sheave Type: Bearing
- Width: 4.1" (104mm)
- Height: 8.6" (218mm)
- Depth: 2.9" (75mm)
- Certification: Pending CE



Locking bolt shown here inserted into sheave preventing movement (locked position)

When not in use, locking bolt is stored securely within the axle, ready for quick deployment when needed.

OTHER VIEWS

